



Variable - CCT Controller

- Dimmable, Flicker-Free Control
- Smooth, Color Tunable Control
- Adjustable CCT 3000K - 6000K
- Multiple COB LED Control

**For High-Power Dual CCT COB LEDs
Or SMD Arrays**



Variable CCT-Controller

Table Of Contents

Table Of Contents	Page 2
Product Overview	Page 3
Product Features	Page 3
Block Diagram	Page 4
Operation	Page 4
Specifications	Page 5
Mechanical Outline	Page 5
Ordering Information	Page 6



Variable CCT-Controller

Product Overview

Hailux Lighting's TCC-100 Controller provides variable control for high power dual-CCT or SMD arrays.

Driven by an analog-dimmable, constant current power supply and adjusted with a TRIAC, or analog dimmable (0 -10V or external 100K potentiometer) driver, is a cost-effective variable controller for a variety of applications.

The TCC-100 can be used in conjunction with Photonic Lighting's:

Tunable White COB LED - to adjust color temperature from 3000K to 6000K

Electronically Variable Beam Angle COB LED - to adjust the beam angle electronically

Or any...

- High power (up to 60W LED power) dual-CCT COB LEDs
- SMD arrays

...with compatible circuitry.

The TCC-100 is perfect for luminaires, or applications, that require the adjustment of color temperature such as healthcare, interior design, restaurants, retail, videography/ photography and much, much more.

Product Features

- 3000K to 6000K color temperature adjustment
- Dimmable, flicker-free transition
- Multiple COB LED control
- Up to 60W of LED power
- Proprietary Pulse Width Modulation Control

Block Diagram

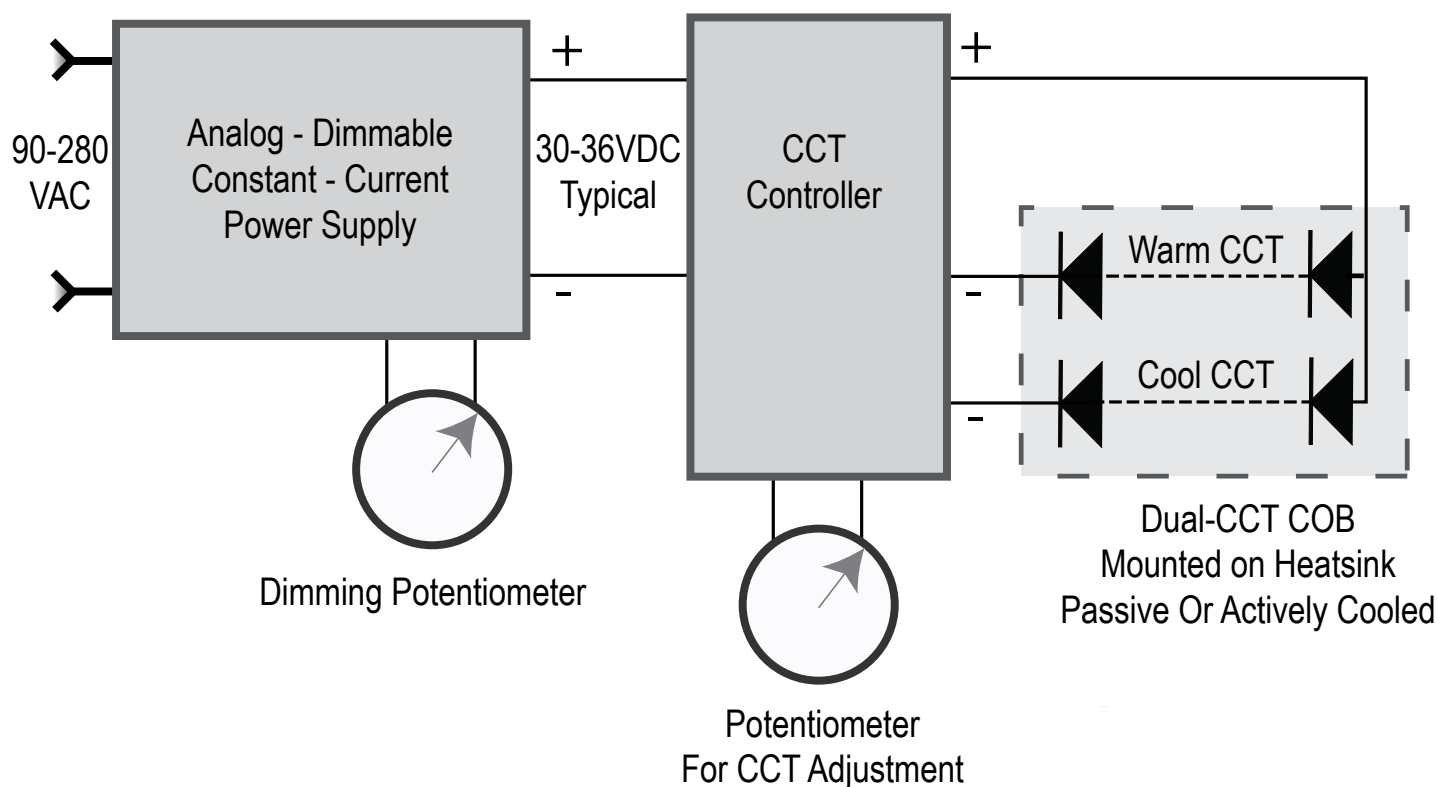


Figure 1: Controller Connected To A Dual CCT COB LED

Operation

The TCC-100, variable CCT controller, can control up to 60 Watts of LED power, the max. power can be delivered to a single LED string or distributed to multiple LED strings.

The TCC-100 utilizes a proprietary Pulse Width Modulation (PWM) power distribution circuitry.

The output power is determined by the constant-current analog dimmable power supply including applications where the driver is adjusted for a dimmed light level.

LED brightness remains constant with no 'dead-time,' flickering or RGB color variations making the TCC-100 ideal for photography/videography applications.

Specifications

Description	Min.	Max.	Unit
Total LED Dual-String Maximum Operating Power	0	60	Watts
Total Operating Current		3.0	Amps DC
LED String Operating Voltage	10	50	VDC
Brightness Range (Each String)	1%	99%	
Total Power variation Over CCT-Adjustable Range		+/- 5%	
Controller Internal Efficiency	95%		
Ambient Temperature Range	-10C°	+50C°	Celcius

Mechanical Outline

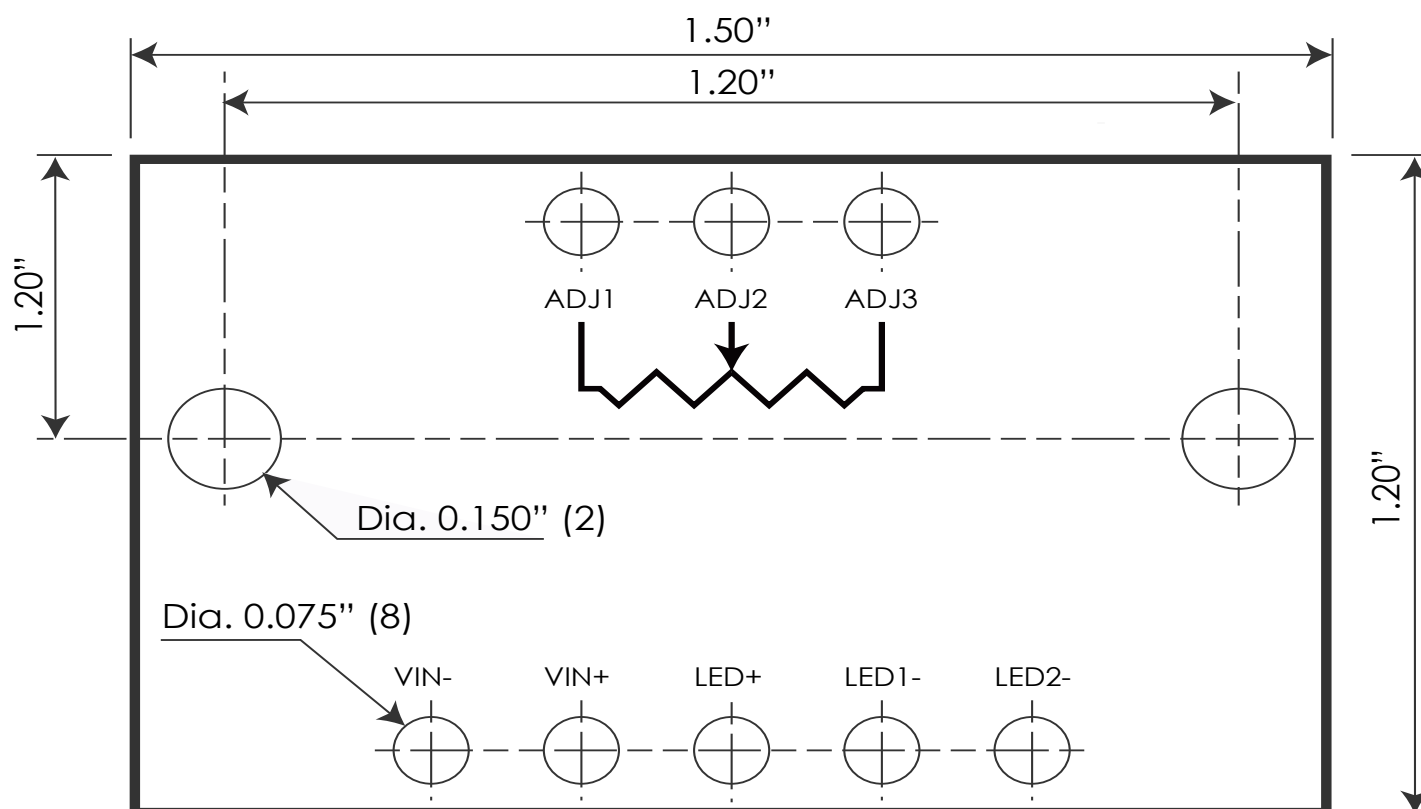


Figure 2: TCC-100 Mechanical Outline



Variable CCT-Controller

Ordering Information

Description	Order Number
Variable CCT-Controller	TCC-100